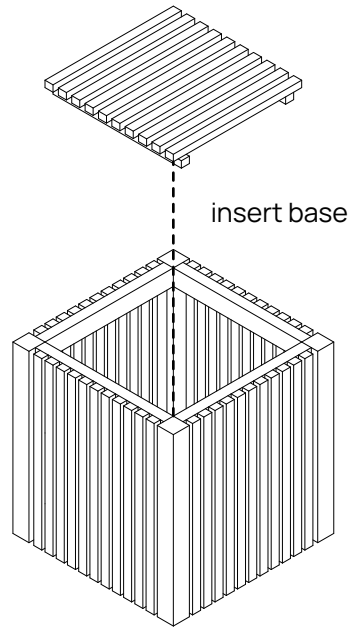
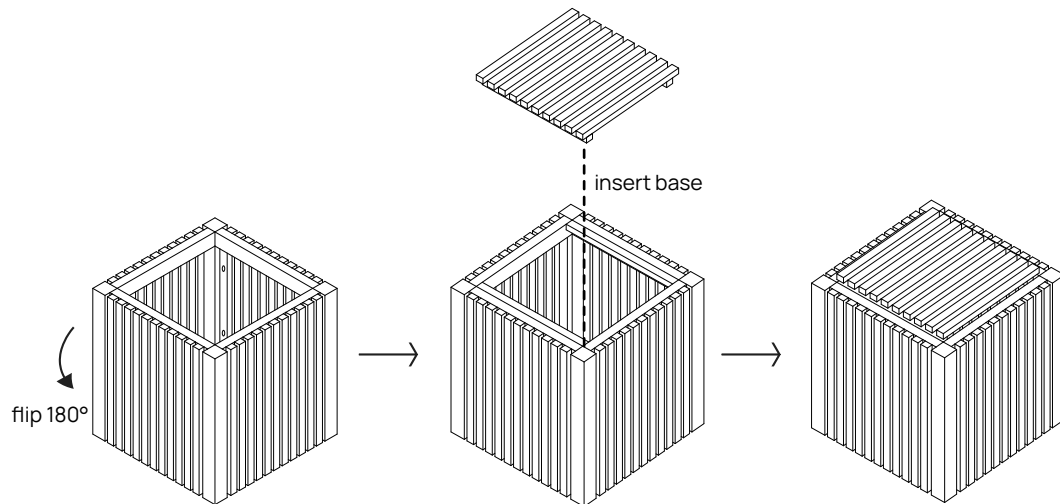


3

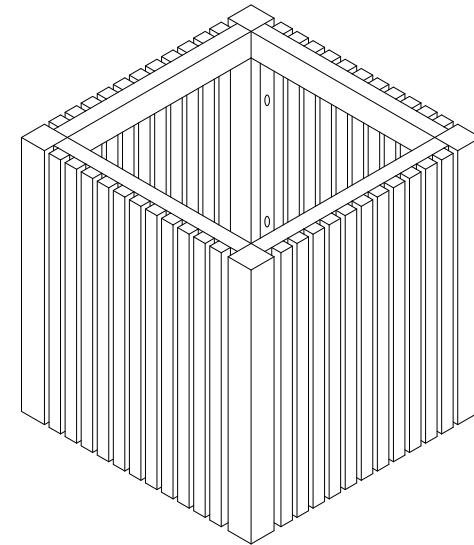


4

to be used as a table

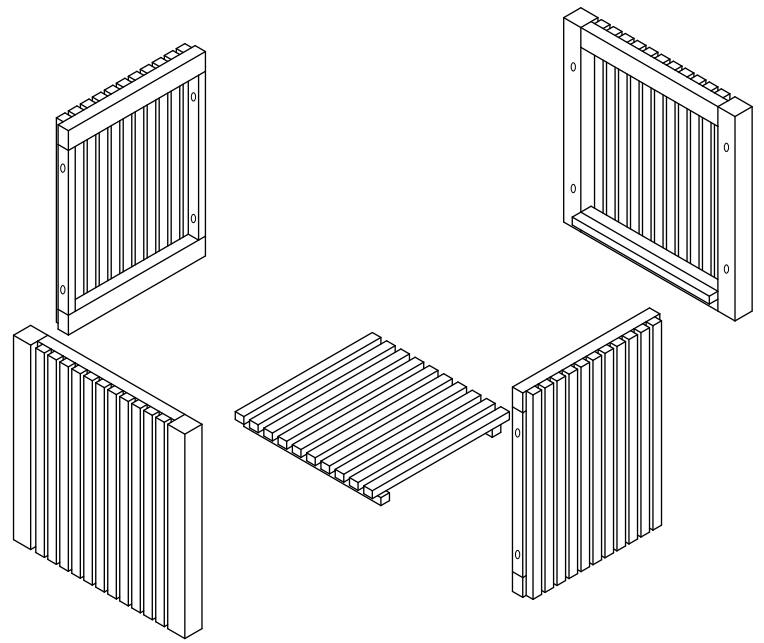


## ASSEMBLY INSTRUCTIONS

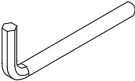


# LANGELINIE BOX

## MEDIUM

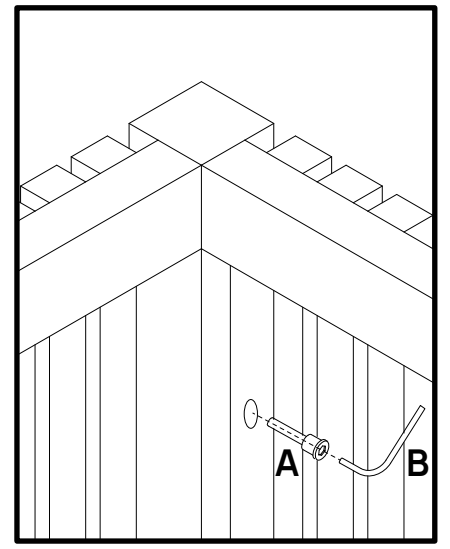
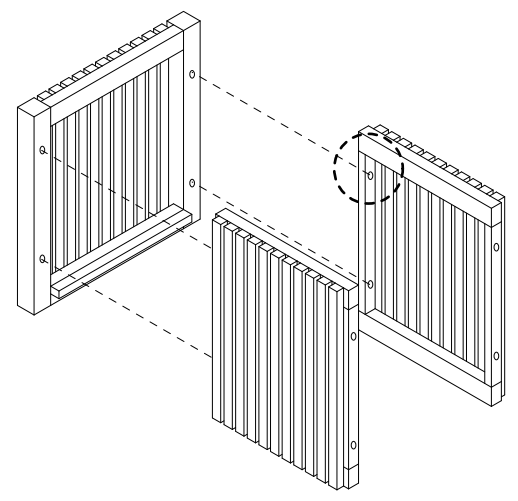


**A x 8 pcs**  
M6\*40 mm



**B x 1 pc**  
5 mm

**1**



**2**

