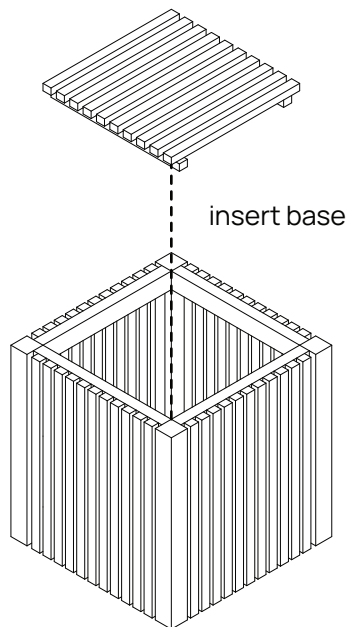
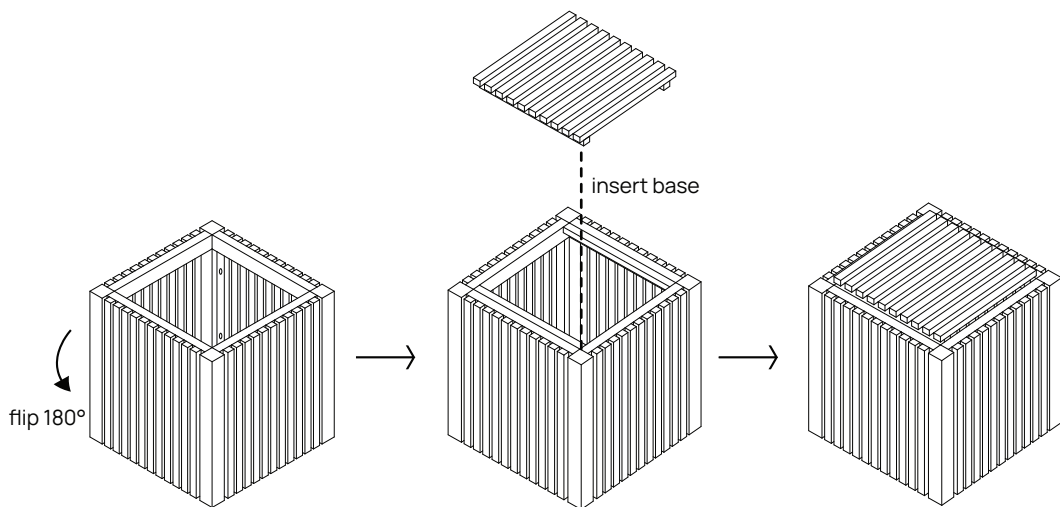


3

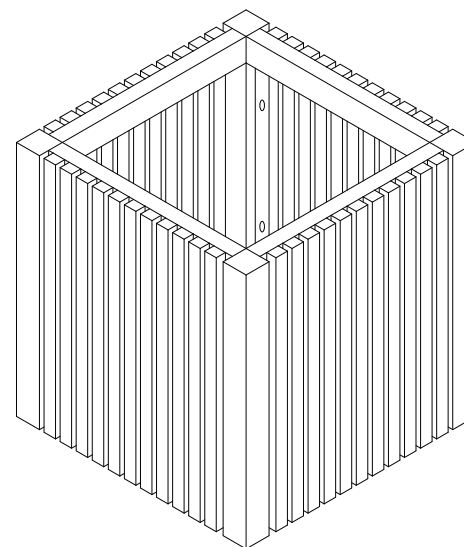


4

to be used as a table

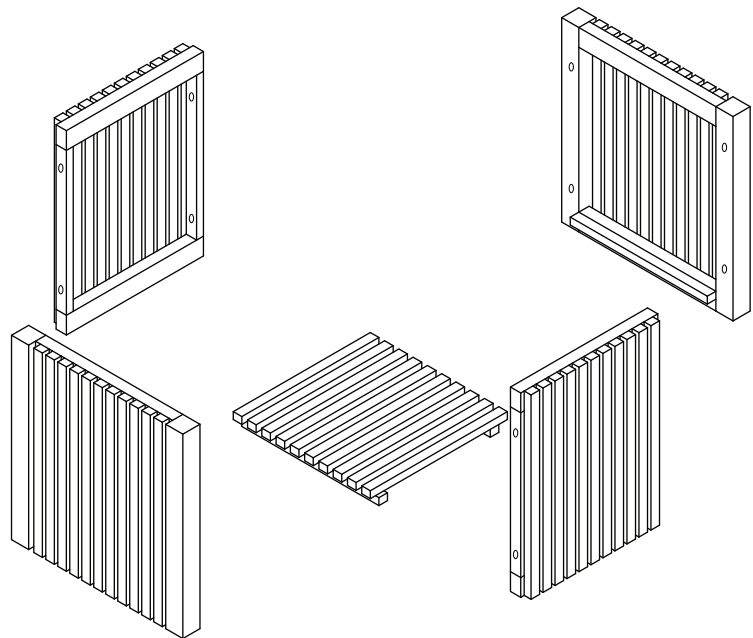


## ASSEMBLY INSTRUCTIONS



# LANGELINIE BOX

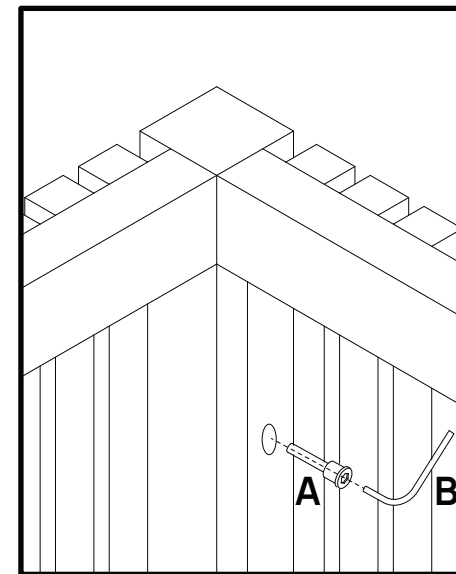
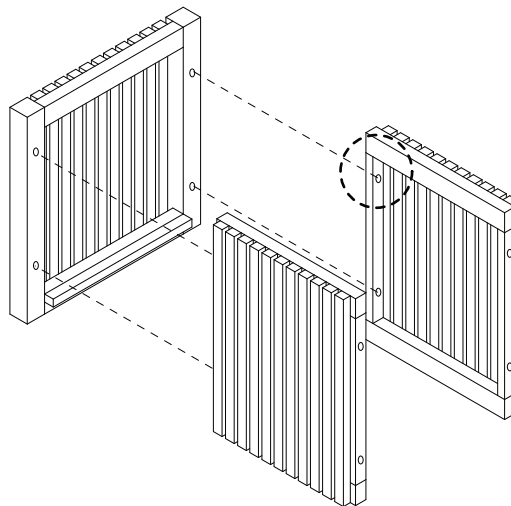
## SMALL



**A x 8 pcs**  
M6\*40 mm

**B x 1 pc**  
5 mm

**1**



**2**

